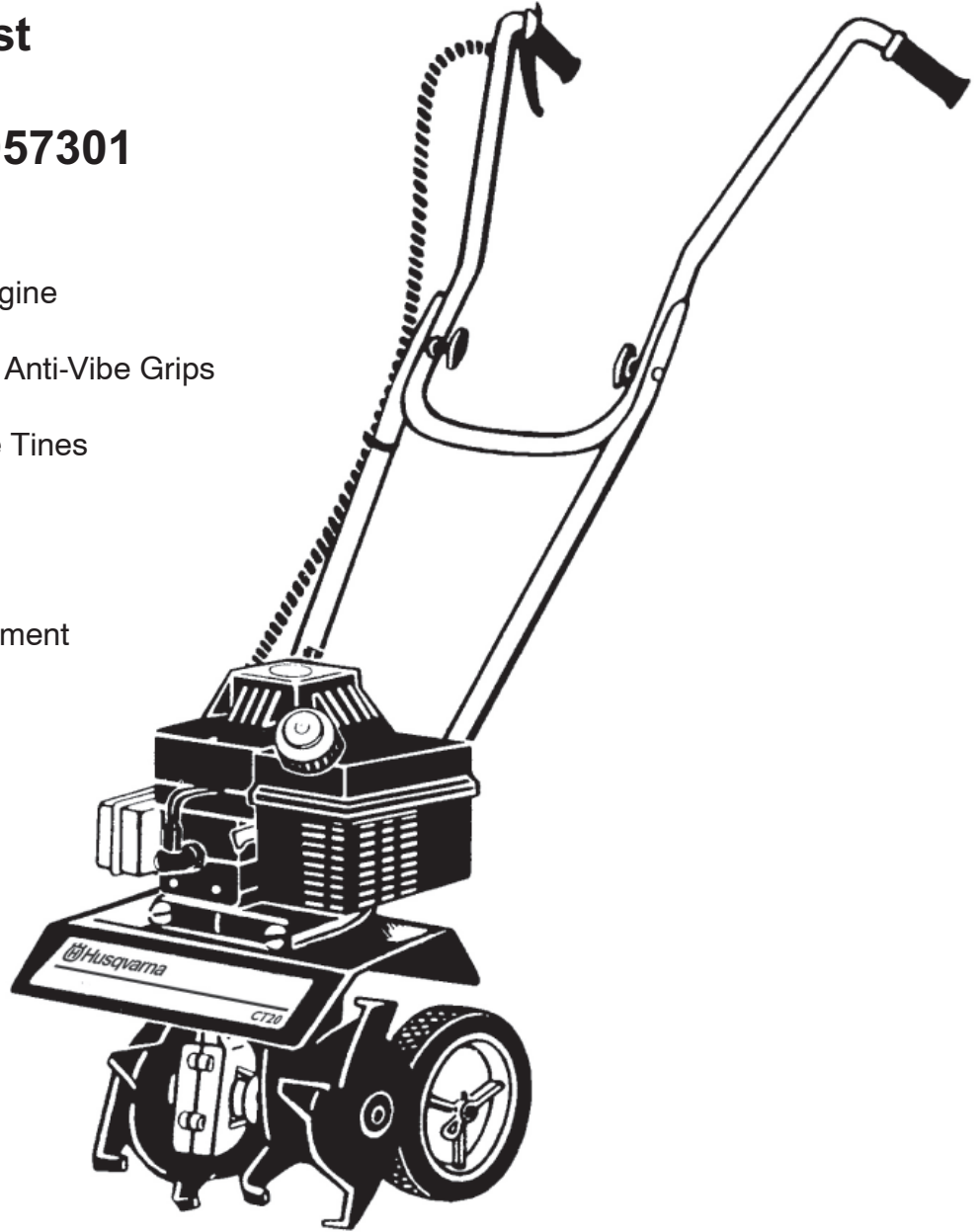


Husqvarna

Illustrated Parts List PARTS MANUAL Model: CT20 / 966957301

SPECIFICATIONS

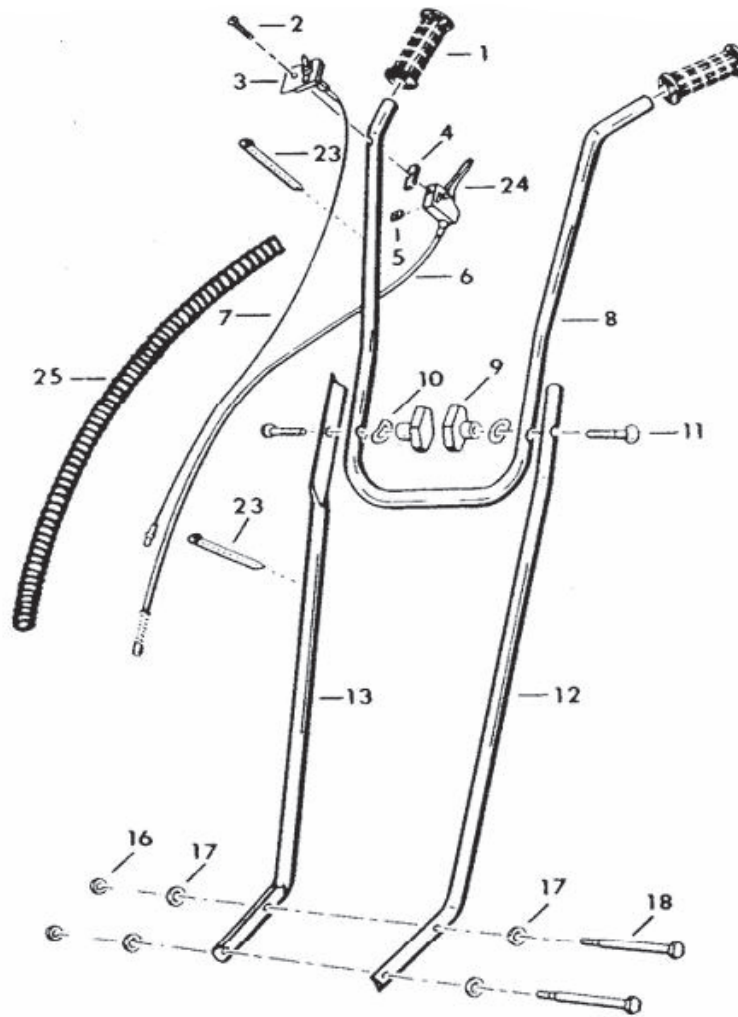
- Durable Tecumseh TC III Engine
- Positive On/Off Switch
- Heavy-Duty Handlebars with Anti-Vibe Grips
- Depth Control Bar
- Four Heavy-Duty Removable Tines
- 6" or 10" Cultivating Width
- Tine Speed—162 RPM
- Worm Gear Drive
- Approx. Weight—25 Lbs.
- Transport Kit Standard Equipment



IMPORTANT!

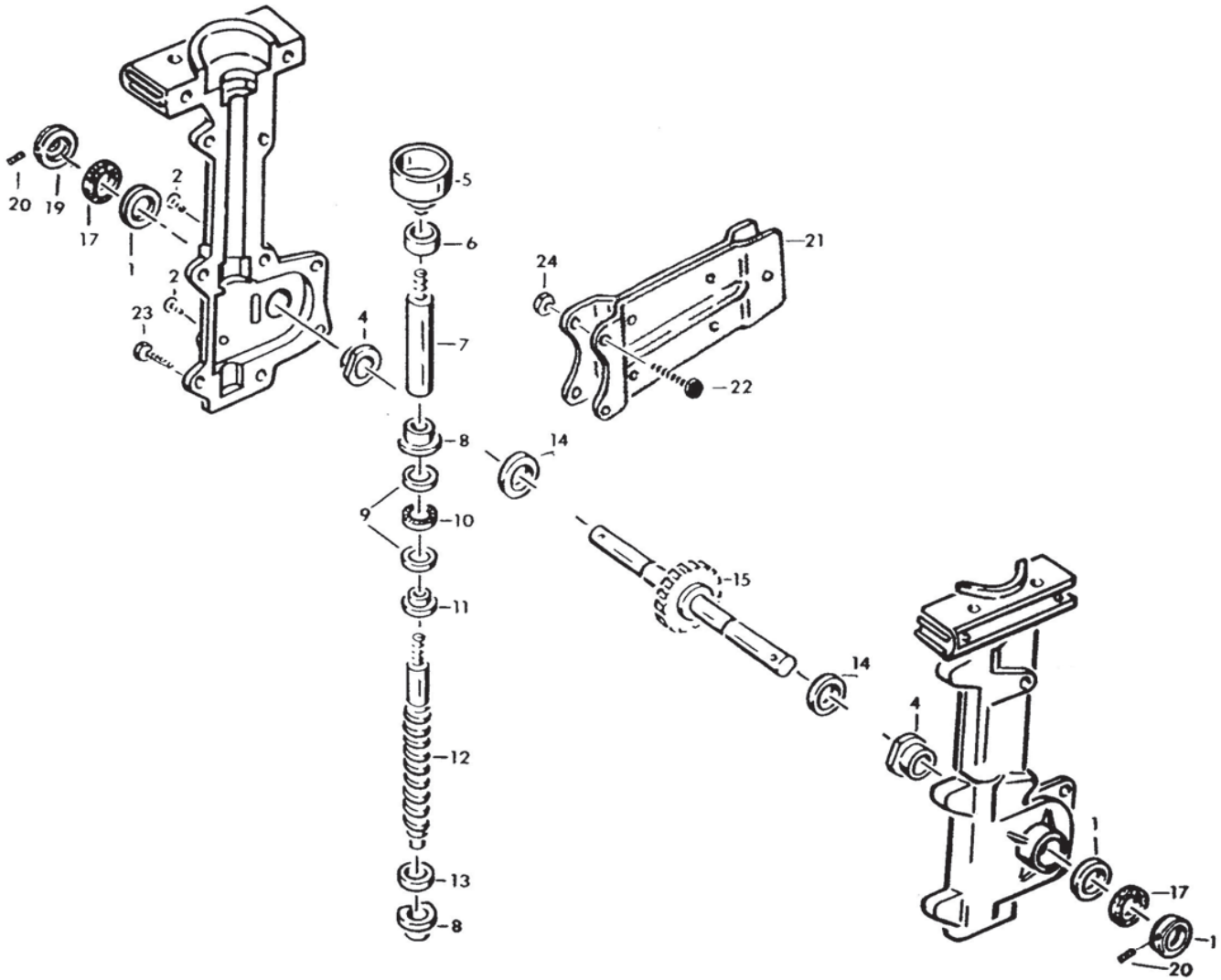
"TO TILL & CULTIVATE IN ROCKY SOIL CONDITIONS SEE PAGE 11 FOR ALTERNATE TINE ASSEMBLY"

HANDLEBARS/GRIP/ON-OFF SWITCH/ THROTTLE CONTROL/THROTTLE CABLE



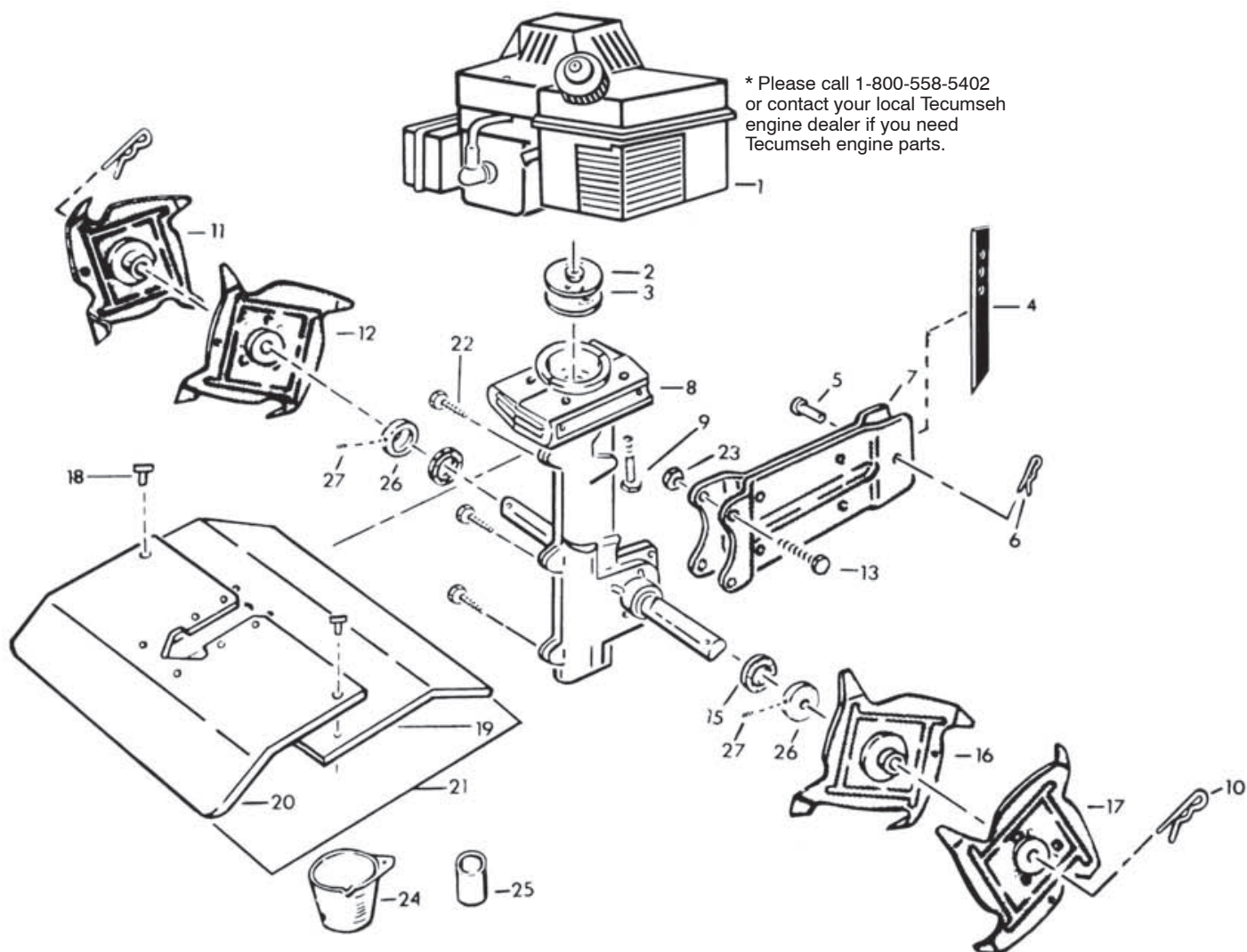
ITEM NO.	ORDER NO.	DESCRIPTION	QTY. REQ.
1	505 29 00-01	Grip, Handlebar	2
2	505 29 00-02	Screw, #10-24 x 1 3/8	1
3	505 29 00-03	Switch Assy, w/Mtg Plate	1
4	505 29 00-04	Isolator	1
5	505 29 00-05	Nut, Throttle/Switch Assy	1
6	505 29 00-06	Throttle Cable	1
7	505 29 00-07	Wire Assembly	1
8	505 29 00-08	Handlebar, Upper	1
9	505 29 00-09	Knob, Plastic, Handlebar	2
10	505 29 00-10	Washer, Curved Knob	2
11	505 29 00-11	Screw, Curved Hd 5/16-18 x 1 1/2	2
12	505 29 00-12	Handlebar, Lower L.H.	1
13	505 29 00-13	Handlebar, Lower R.H.	1
16	505 29 00-14	Nut, 1/4-20	2
17	505 29 00-10	Washer, Curved	4
18	505 29 00-15	Screw, 1/4-20 x 4 1/2	2
23	505 29 00-59	Tie Strap	2
24	505 29 00-16	Throttle Trigger	1
25	505 29 00-17	Housing, Wire Assy & Thrl Cable	1

TRANSMISSION ASSEMBLY



ITEM NO.	ORDER NO.	DESCRIPTION	QTY. REQ.
1	505 29 00-18	Seal	2
2	505 29 00-19	Screw, Phillips Pan Hd 1/4-20 x 1/2	2
4	505 29 00-20	Bushing, Bronze	2
5	505 29 00-21	Drum & Hub, Clutch	1
6	505 29 00-22	Bearing, Roller	1
7	505 29 00-23	Shaft, Connecting	1
8	505 29 00-24	Bushing, Bronze	2
9	505 29 00-25	Washer, Thrust	2
10	505 29 00-26	Bearing, Needle, Thrust	1
11	505 29 00-27	Washer, Adaptor	1
12	505 29 00-28	Shaft, Worm	1
13	505 29 00-29	Washer, Thrust	1
14	505 29 00-30	Washer, Thrust	2
15	505 29 00-31	Shaft, Tine, w/Worm Wheel	1
17	505 29 00-32	Felt Seal	2
19	505 29 00-33	Dirt Cap, Silver, Metal	2
20	505 29 00-34	Set Screw, # 10-32 x 1/4	2
21	505 29 00-35	Bracket Assy, Drag Stake	1
22	505 29 00-36	Screw, 1/4-20 x 1	2
23	505 29 00-37	Screw, 1/4-20 x 7/8	6
24	505 29 00-38	Nut, 1/4-20	2
--	505 29 00-41	Transmission Assembly, Complete	1

ENGINE/TRANSMISSION/TINES/SHIELD



ITEM NO.	ORDER NO.	DESCRIPTION	QTY. REQ.
1	---	Engine*	1
2	505 29 00-61	Clutch Assy	1
3	505 29 00-62	Spring, Clutch	2
4	505 29 00-39	Drag Stake	1
5	505 29 00-58	Pin, Clevis 5/16 x 7/8	1
6	505 29 00-40	Hairpin	1
7	505 29 00-35	Bracket Assembly	1
8	505 29 00-41	Transmission Assembly, Complete	1
9	505 29 00-42	Screw, Whizz Loc, 1/4-20 x 2	4
10	505 29 00-43	Hairpin	2
11	505 29 00-44	Tine & Hub, R.H. Outbrd (D)	1
12	505 29 00-45	Tine & Hub, R.H. Inbrd (C)	1
13	505 29 00-36	Screw, 1/4 - 20 x 1"	2
15	505 29 00-32	Felt Seal	2
16	505 29 00-46	Tine & Hub, L.H. Inbrd (B)	1
17	505 29 00-47	Tine & Hub, L.H. Outbrd (A)	1
22	505 29 00-37	Screw, 1/4 - 20 x 7/8, Thrd. From	6
23	505 29 00-14	Nut, 1/4 - 20	2
24	505 29 00-63	Fuel Mix Cup	
25	505 29 00-48	Tine Spacers	2
26	505 29 00-33	Dirt Cap, Silver Metal	2
27	505 29 00-34	Set Screw, #10 - 32 x 1/4, Metal Dirt Cap	2

TRANSPORT KIT ASSEMBLY

1. Assemble the wheel assembly and install the wheel assembly on the tiller with the arrow up as shown. **Torque:** 14 ft-lb (20 N-m).

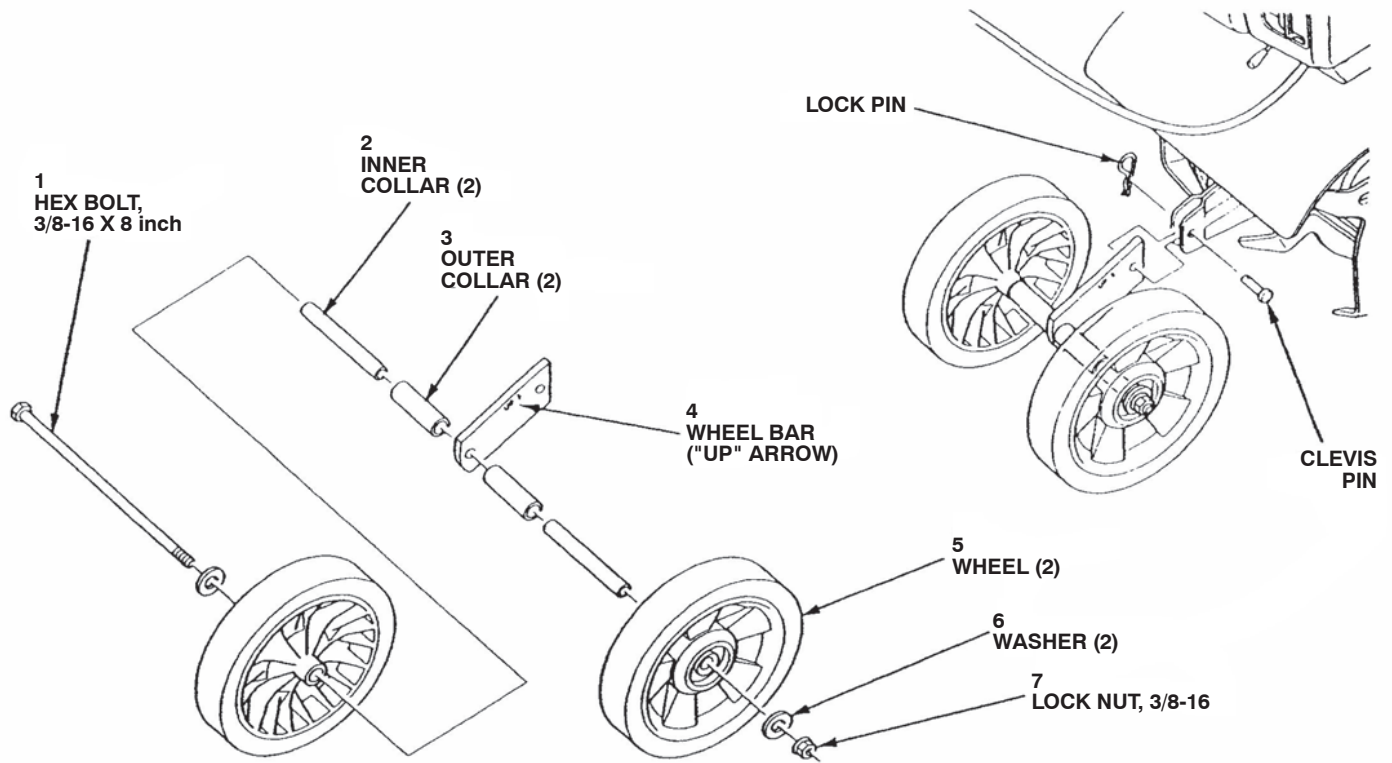


Fig. 20

NOTE: PLEASE FOLLOW THE DIRECTIONS SHOWN ABOVE TO ASSEMBLE YOUR WHEEL KIT.

ITEM NO.	ORDER NO.	DESCRIPTION	QTY. REQ.
1	505 29 00-49	Hex Bolt 3/8-16 x 8	1
2	505 29 00-50	Inner Collar	2
3	505 29 00-51	Outer Collar	2
4	505 29 00-52	Wheel Bar	1
5	505 29 00-53	Wheel	2
6	505 29 00-54	Washer	2
7	505 29 00-55	Lock-Nut, 3/8-16	1
--	505 29 00-56	CT20 Decal	1